



Vegetable Slicer TR300 Vegetable Cutter with Motor Unit, Ejector & Stand

ITEM # _____

MODEL # _____

NAME # _____

SIS # _____

AIA # _____



602068 (DTR300B)

Vegetable slicer for catering use. Motor unit with ejector (for all types of work except chips) and stand (hopper not included).

Short Form Specification

Item No. _____

Vegetable preparation machine for caterers serving more than 600 meals/sitting. Freestanding 1 speed (260 rpm) motor unit, includes the standard ejector used in all types of preparations except chips (the ejector for chips is available as an option). 2 different hoppers available upon request: automatic hopper, for all vegetables except long; long vegetable hopper with 9 tubes in various sizes for cutting long vegetables horizontally when in an upright position.

APPROVAL: _____

Main Features

- Vegetable slicer with slicing, grating, shredding (julienne) as well as dicing and French fries cutting capability.
- Includes the standard ejector used in all types of preparations except chips.
- Motor base delivered on stand, including disks rack.
- Available upon request: -Automatic hopper for regular vegetable feeding. Suitable for all types of preparation with the exception of long vegetables. -Long vegetable hopper to cut long vegetables into horizontal slices (9 tubes).
- Specific chip equipment (6, 8, 10 mm size) to be used with the proper chip ejector disc.
- Complete selection of blades and grids available (diameter 300 mm).
- Maximum vegetable size is 75 mm diameter with automatic hopper.
- Capacity from 600 meals upwards for table service and up to 5000 for catering service.

Construction

- Motor base equipped with external device to easily lift the hoppers during operations.
- Three phase motor
- Power: 1500 watts.
- 1 speed model.

Included Accessories

- 1 of EJECTOR F.ALL TYPES OF WORK-EXCEPT CHIPS PNC 653142

Optional Accessories

- Stainless steel grating disc for parmesan (dia. 300 mm) PNC 650148
- Stainless steel grating disc for knoedeln (dia. 300 mm) PNC 650149
- Stainless steel grating disc 2 mm (dia. 300 mm) PNC 650150
- Stainless steel grating disc 3 mm (dia. 300 mm) PNC 650151
- Stainless steel grating disc 4 mm (dia. 300 mm) PNC 650152
- Stainless steel grating disc 7 mm (dia. 300 mm) PNC 650153
- Stainless steel grating disc 9 mm (dia. 300 mm) PNC 650154
- Stainless steel cabbage grating disc with central shaft for stem removal 7 mm (to be used with cabbage feed hopper) PNC 650157
- DICING GRID 10 MM PNC 653068

TR300 Vegetable Cutter with Motor Unit, Ejector & Stand
Vegetable Slicer



Vegetable Slicer TR300 Vegetable Cutter with Motor Unit, Ejector & Stand

• CHIP EQUIPMENT 10X10 MM	PNC 653069	<input type="checkbox"/>
• DICING GRID 20 MM	PNC 653073	<input type="checkbox"/>
• CHIP EQUIPMENT 8X8 MM	PNC 653074	<input type="checkbox"/>
• DICING GRID 16 MM	PNC 653075	<input type="checkbox"/>
• CHIP EQUIPMENT 6X6 MM	PNC 653076	<input type="checkbox"/>
• LONG VEGETABLE HOPPER	PNC 653129	<input type="checkbox"/>
• EJECTOR F.ALL TYPES OF WORK- EXCEPT CHIPS	PNC 653142	<input type="checkbox"/>
• EJECTOR FOR CHIPS	PNC 653143	<input type="checkbox"/>
• SLICING DISC 2 MM	PNC 653172	<input type="checkbox"/>
• SLICING DISC 3 MM	PNC 653173	<input type="checkbox"/>
• SLICING DISC 1 MM	PNC 653188	<input type="checkbox"/>
• SLICING DISC 5 MM	PNC 653189	<input type="checkbox"/>
• SLICING DISC 6 MM	PNC 653190	<input type="checkbox"/>
• SLICING DISC 8 MM	PNC 653191	<input type="checkbox"/>
• SLICING DISC 10 MM	PNC 653192	<input type="checkbox"/>
• SLICING DISC 16 MM	PNC 653193	<input type="checkbox"/>
• SHREDDING DISC 2X2 MM	PNC 653195	<input type="checkbox"/>
• SHREDDING DISC 3X3 MM	PNC 653196	<input type="checkbox"/>
• SHREDDING DISC 4X4 MM	PNC 653197	<input type="checkbox"/>
• SHREDDING DISC 6X6 MM	PNC 653198	<input type="checkbox"/>
• SHREDDING DISC 8X8 MM	PNC 653199	<input type="checkbox"/>
• SHREDDING DISC 10X10 MM	PNC 653200	<input type="checkbox"/>
• STAINLESS STEEL DISC RACK	PNC 653212	<input type="checkbox"/>
• DISC WITH CORRUGATED BLADES 2 MM	PNC 653217	<input type="checkbox"/>
• DISC WITH CORRUGATED BLADES 3 MM	PNC 653218	<input type="checkbox"/>
• DISC WITH CORRUGATED BLADES 6 MM	PNC 653219	<input type="checkbox"/>
• S/S TROLLEY FOR GN2/1 TRAYS	PNC 653224	<input type="checkbox"/>
• DICING GRID 32 MM	PNC 653259	<input type="checkbox"/>
• DICING GRID 12 MM	PNC 653499	<input type="checkbox"/>
• AUTOMATIC HOPPER	PNC 653771	<input type="checkbox"/>



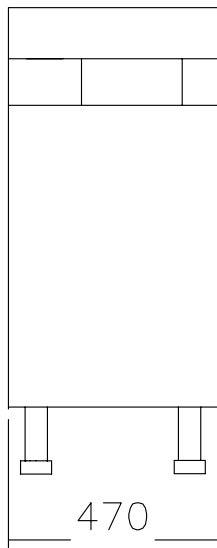
Vegetable Slicer
TR300 Vegetable Cutter with Motor Unit, Ejector & Stand
The company reserves the right to make modifications to the products
without prior notice. All information correct at time of printing.

2026.03.17

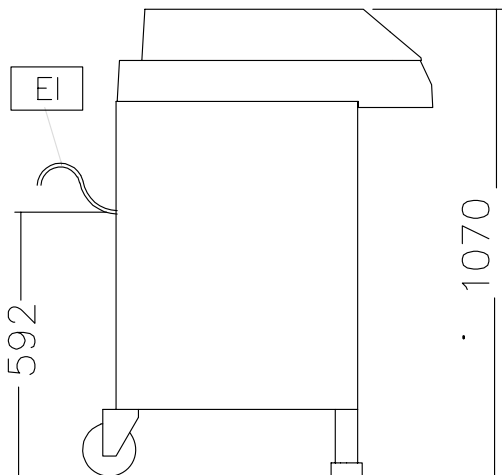


Vegetable Slicer TR300 Vegetable Cutter with Motor Unit, Ejector & Stand

Front

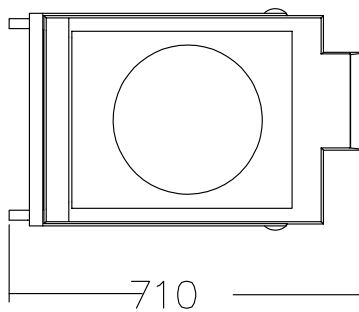


Side



EI = Electrical inlet
(power)

Top



Electric

Supply voltage:	220-240/380-415 V/3 ph/50 Hz
Electrical power max.:	1.5 kW
Total Watts:	1.5 kW

Capacity:

Performance (up to):	4000 kg/Cycle
-----------------------------	---------------

Key Information:

External dimensions, Width:	470 mm
External dimensions, Depth:	710 mm
External dimensions, Height:	1070 mm
Shipping weight:	103 kg



Vegetable Slicer
TR300 Vegetable Cutter with Motor Unit, Ejector & Stand
The company reserves the right to make modifications to the products
without prior notice. All information correct at time of printing.

2026.03.17